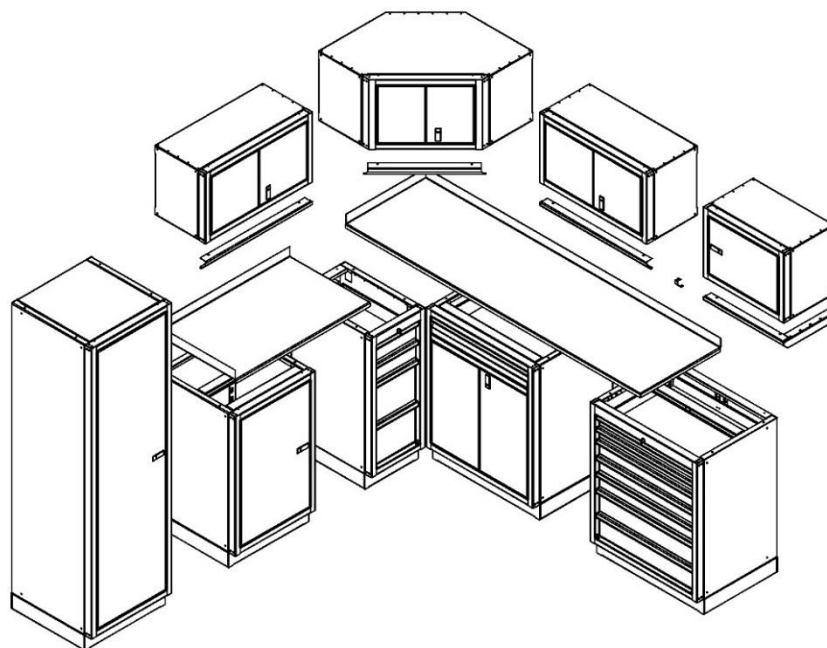


PRO II™ INSTALLATION INSTRUCTIONS



Read these instructions thoroughly before installation and keep for future reference.

TABLE OF CONTENTS

1	Check Your Order	3	Installing Your Cabinets
1	Tools You'll Need	4	Countertop
2	Hardware We Supply	4	Caring For Your Cabinets
2	Before You Begin	5	Frequently Asked Questions

CHECK YOUR ORDER

When your order is delivered, remove the packing material and thoroughly inspect all cabinets for damage. Every cabinet is inspected and free of defects when it leaves our facilities. If you believe your order has been damaged, sign the bill of lading as Possible Concealed Damage or Damage and contact your Moduline sales representative.

TOOLS YOU'LL NEED

- #2 Phillips Screwdriver
- Cordless Drill/Driver with #2 Phillips bit
- 3/8", 7/16" & 3/4" Wrenches or Ratchets
- Tape Measure
- Level
- Carpentry Square
- Masking Tape

HARDWARE WE SUPPLY



10-32 x 3/8" PHILLIPS FLAT HEAD SCREW
FOR DRAWER DIVIDERS



10-32 x 3/8" PHILLIPS HEX WASHER HEAD SCREW
FOR DRAWER DIVIDERS & LIGHT SHIELDS



10-32 x 1" PHILLIPS PAN HEAD SCREW
FOR TOE KICKS



10-32 HEX NUT



1/4-20 x 1/2" HEX BOLT
FOR SHELVES

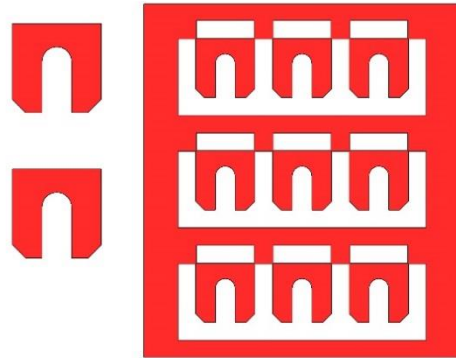


1/4-20 x 3/4" HEX BOLT
FOR JOINING CABINETS



1/4-20 HEX NUT

DOUBLE-SIDED TAPE
FOR COUNTER TOPS



HORSESHOE SHIMS

Because each installation is unique, Moduline does not supply wall mounting hardware.

BEFORE YOU BEGIN

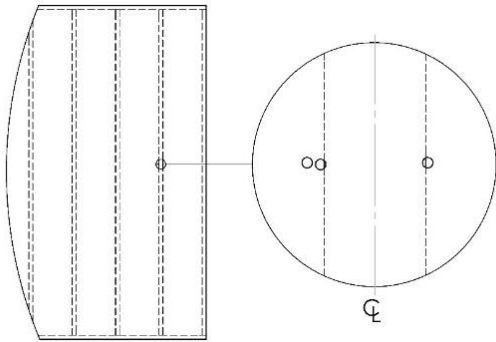
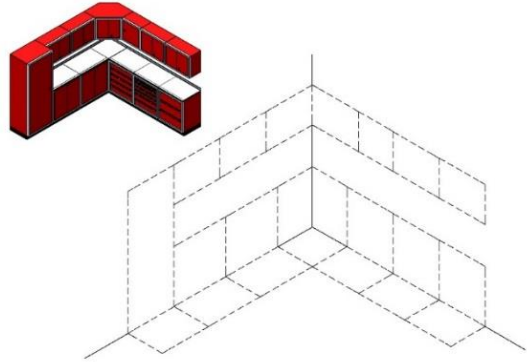
WARNING: HEAVY OBJECTS. Lifting can cause muscle strain or back injury. LIFT WITH 2 PEOPLE.

Unbox your cabinets and set them aside, out of the way. We recommend reusing the cardboard packaging to protect the floor from damage as you move your cabinets around. **Do not remove** the protective vinyl from your cabinets until you've finished assembling them. You'll have to peel it back in places when you install the cabinets, but leave it on where possible to safeguard against accidental scratches.

Flat, level surfaces are important for a proper installation. For installation in a mobile environment, make sure it's stationary and under its own load on a flat, level surface.

No construction is going to be perfectly level and you'll need to shim your cabinets to keep them square. Use a level to identify the high point in the floor where your cabinets will go. You should plan to start here when installing your cabinets to make shimming them easier.

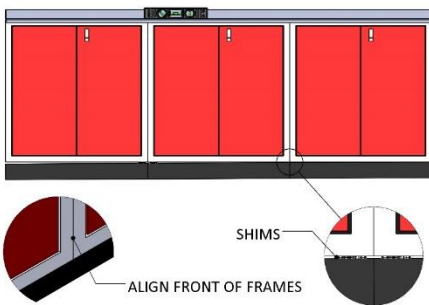
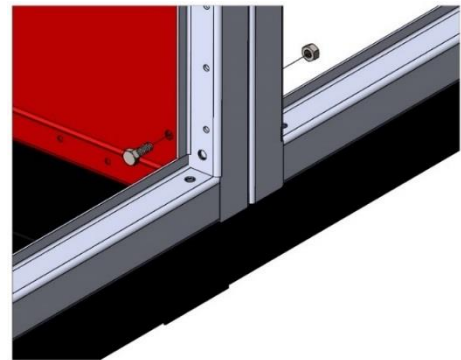
Measure and mark on the wall where your cabinets will go with a light pencil. Locate and mark the center of your wall studs. You can locate your studs with a stud finder, but don't trust it to determine the centerline. Instead, using a thin nail or drill with a small bit, make holes around where you think each edge of the stud is.



Keep making holes until you hone in on the edge of the stud. This will require several holes spaced close together. Once you've found the edges, you can mark the center of the stud. Repeat this process until all studs are marked.

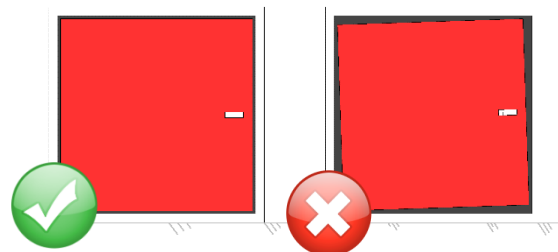
INSTALLING YOUR CABINETS

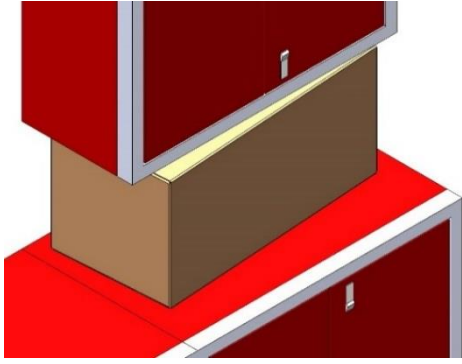
Start at the high point on the floor that you identified earlier. Put the first base cabinet or closet into place, and fasten it to the wall with appropriate hardware. **Do not use drywall screws.** The cabinets have pre-punched holes for mounting, but you may need to drill your own to line up with studs.



Put the next cabinet into place, and attach to the first with 4 bolts using supplied thru holes. Make sure the front frames are aligned. Fasten it to the wall. Repeat for each base cabinet and closet in the combo.

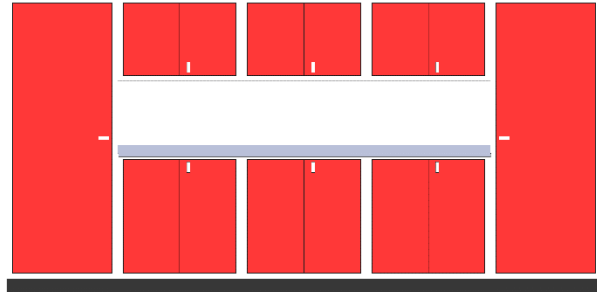
Shim as you go to keep everything square and level. You can visually check for squareness, just make sure the space around the doors is consistent.





Install the overhead cabinets in the same way. To attach an overhead to a closet you'll need to transfer the (2) front mounting holes in the side of the overhead to the closet. You can construct a box out of wood or reused packing cardboard to prop the cabinet up while you work.

If your combo has closets at both ends, we recommend leaving one closet off until after the countertop and overheads have been installed. It's easy to accidentally damage your cabinets trying to slide the countertop between them.



COUNTERTOPS

Dry fit the countertop to make sure you like how it fits before using any adhesive. Cover any exposed cabinet surfaces that could be scratched moving the countertop into position, especially closet sides.

Apply double-sided tape to the tops of base cabinets and tool boxes. **Apply two strips of tape side-by-side to completely cover the front frame.**

Remove the backing from the tape to expose the adhesive. Spray the tape with glass cleaner. This will temporarily reduce the stickiness of the tape to make installation easier.

Set the countertop straight down into place. Apply even pressure to the countertop to smooth it out.

CARING FOR YOUR CABINETS

Remove any remaining protective vinyl once installation is complete. A little maintenance will keep your cabinets looking brand new.

To clean the cabinets and remove fingerprints use glass cleaner and a microfiber cloth.

To clean the countertops wipe with a microfiber cloth and a solution of water and a few drops of dish soap. Dry thoroughly.

Avoid using the following on your cabinets:

- ⊗ Abrasive Cleaners
- ⊗ Chemical Solvents
- ⊗ Strong Detergents
- ⊗ Cleaners with Bleach
- ⊗ Furniture Polish